



**SPC BENCHMARK 1™  
EXECUTIVE SUMMARY**

**FUJITSU LIMITED  
FUJITSU STORAGE SYSTEMS ETERNUS DX440**

**SPC-1 V1.12**

**Submitted for Review: March 5, 2010  
Submission Identifier: A00089**

**EXECUTIVE SUMMARY****Test Sponsor and Contact Information**

Test Sponsor and Contact Information	
<b>Test Sponsor Primary Contact</b>	Fujitsu Limited – <a href="http://www.fujitsu.com/services/computing/storage/">http://www.fujitsu.com/services/computing/storage/</a> Fujitsu America Inc. C.A. (Sandy) Wilson <a href="mailto:Sandy_Wilson@us.fujitsu.com">Sandy_Wilson@us.fujitsu.com</a> 1250 East Arques Ave P.O. Box 3470 Sunnyvale, CA 94088 3470 Phone: (916) 434-8593
<b>Test Sponsor Alternate Contact</b>	Fujitsu Limited – <a href="http://www.fujitsu.com/services/computing/storage/">http://www.fujitsu.com/services/computing/storage/</a> Fujitsu America Inc. Kun Katsumata <a href="mailto:Kun_Katsumata@us.fujitsu.com">Kun_Katsumata@us.fujitsu.com</a> 1250 East Arques Ave P.O. Box 3470 Sunnyvale, CA 94088 3470 Phone: (408) 746-6415 FAX: (408) 746-8016
<b>Test Sponsor Alternate Contact</b>	Fujitsu Limited – <a href="http://www.fujitsu.com/services/computing/storage/">http://www.fujitsu.com/services/computing/storage/</a> Yasuhita Arikawa <a href="mailto:y.arikawa@jp.fumitsu.com">y.arikawa@jp.fumitsu.com</a> 1-1 Kamikodanaka 4-chrome, Nakahara-ku, Kawasaki-shi, Kanagawa-ken 211-8588, Japan Phone: (044) 754-3632 FAX: (044) 754-3719
<b>Auditor</b>	Storage Performance Council – <a href="http://www.storageperformance.org">http://www.storageperformance.org</a> Walter E. Baker – <a href="mailto:AuditService@StoragePerformance.org">AuditService@StoragePerformance.org</a> 643 Bair Island Road, Suite 103 Redwood City, CA 94063 Phone: (650) 556-9384 FAX: (650) 556-9385

**Revision Information and Key Dates**

Revision Information and Key Dates	
<b>SPC-1 Specification revision number</b>	V1.12
<b>SPC-1 Workload Generator revision number</b>	V2.1.0
<b>Date Results were first used publicly</b>	March 5, 2010
<b>Date the FDR was submitted to the SPC</b>	March 5, 2010
<b>Date the priced storage configuration is available for shipment to customers</b>	currently available
<b>Date the TSC completed audit certification</b>	March 4, 2010

## Tested Storage Product (TSP) Description

The Fujitsu ETERNUS DX440 is a flexible, highly reliable storage array, equipped with redundant components to provide uncompromised availability for the mid market requirements. A mixture of 300GB, 450GB, and 600GB 15krpm Fibre Channel disk drives, as well as 500GB, 750GB, and 1TB Nearline SATA disk drives may be used, up to a maximum of 420 drives. The drives may be arranged in a variety of RAID groups, including RAID1, RAID1+0(10), RAID5, and RAID6. The product is offered with Fibre Channel (as tested), and iSCSI host connection options. Up to 16 Fibre Channel ports or up to 8 iSCSI ports, or a mixture of port types may be provided. In addition, a number of different snapshot and replication facilities, native disk data encryption, and MAID capabilities are available.

## Summary of Results

SPC-1 Results	
Tested Storage Configuration (TSC) Name: Fujitsu Storage Systems ETERNUS DX440	
Metric	Reported Result
SPC-1 IOPS™	97,498.25
SPC-1 Price-Performance	\$5.51/SPC-1 IOPS™
Total ASU Capacity	36,073.698 GB
Data Protection Level	Protected ( <i>Mirroring</i> )
Total TSC Price (including three-year maintenance)	\$537,671

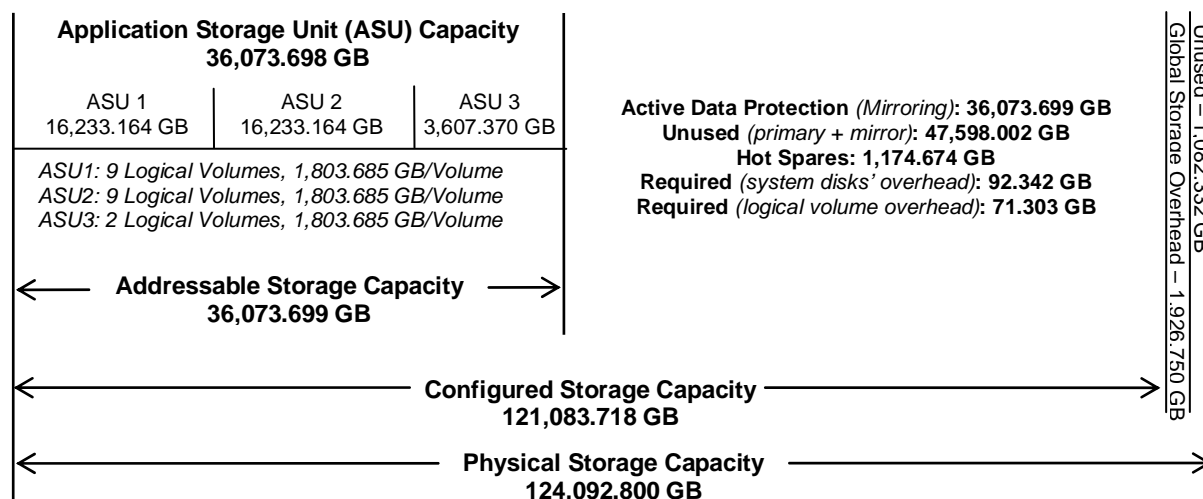
**SPC-1 IOPS™** represents the maximum I/O Request Throughput at the 100% load point.

**Total ASU (Application Storage Unit) Capacity** represents the total storage capacity read and written in the course of executing the SPC-1 benchmark.

A **Data Protection Level of Protected** using *Mirroring* configures two or more identical copies of user data.

### Storage Capacities and Relationships

The following diagram and table document the various storage capacities, used in this benchmark, and their relationships, as well as the storage utilization values required to be reported.



SPC-1 Storage Capacity Utilization	
Application Utilization	29.07%
Protected Application Utilization	58.17%
Unused Storage Ratio	39.23%

**Application Utilization:** Total ASU Capacity (36,073.698 GB) divided by Physical Storage Capacity (124,092.800 GB).

**Protected Application Utilization:** Total ASU Capacity (36,073.698 GB) plus total Data Protection Capacity (59,908.351 GB) minus unused Data Protection Capacity (23,799.001 GB) divided by Physical Storage Capacity (124,092.800 GB).

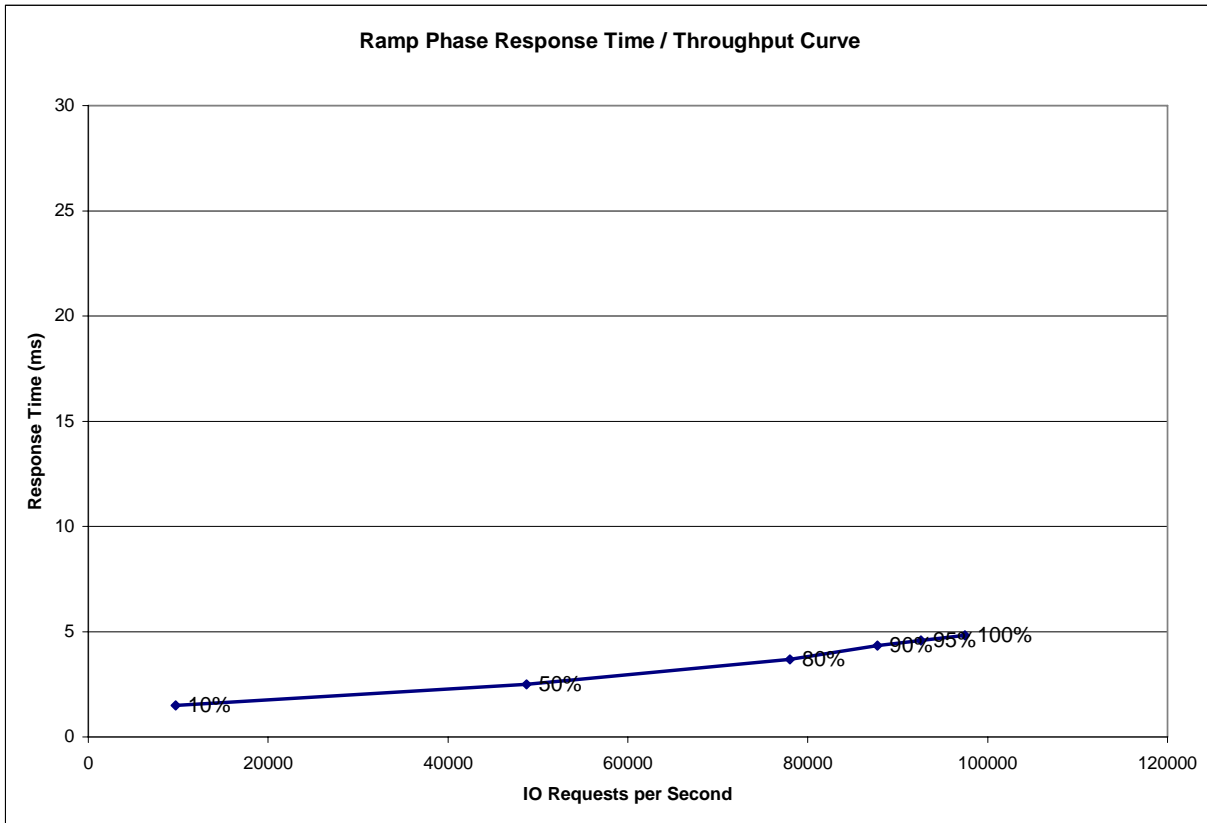
**Unused Storage Ratio:** Total ASU Capacity (36,073.698 GB) plus total Data Protection Capacity (59,908.351 GB) minus unused Data Protection Capacity (23,799.001 GB) divided by Physical Storage Capacity (124,092.800 GB).

Detailed information for the various storage capacities and utilizations is available on pages 19-20 in the Full Disclosure Report.

### Response Time - Throughput Curve

The Response Time-Throughput Curve illustrates the Average Response Time (milliseconds) and I/O Request Throughput at 100%, 95%, 90%, 80%, 50%, and 10% of the workload level used to generate the SPC-1 IOPS™ metric.

The Average Response Time measured at the any of the above load points cannot exceed 30 milliseconds or the benchmark measurement is invalid.



### Response Time - Throughput Data

	10% Load	50% Load	80% Load	90% Load	95% Load	100% Load
<b>I/O Request Throughput</b>	9,749.74	48,742.72	78,009.39	87,736.79	92,578.86	97,498.25
<b>Average Response Time (ms):</b>						
All ASUs	1.50	2.50	3.69	4.33	4.59	4.83
ASU-1	2.05	3.22	4.55	5.24	5.54	5.81
ASU-2	1.34	2.56	3.98	4.75	5.11	5.47
ASU-3	0.40	0.93	1.75	2.20	2.35	2.47
Reads	3.22	4.93	6.74	7.70	8.16	8.62
Writes	0.38	0.92	1.70	2.13	2.26	2.36

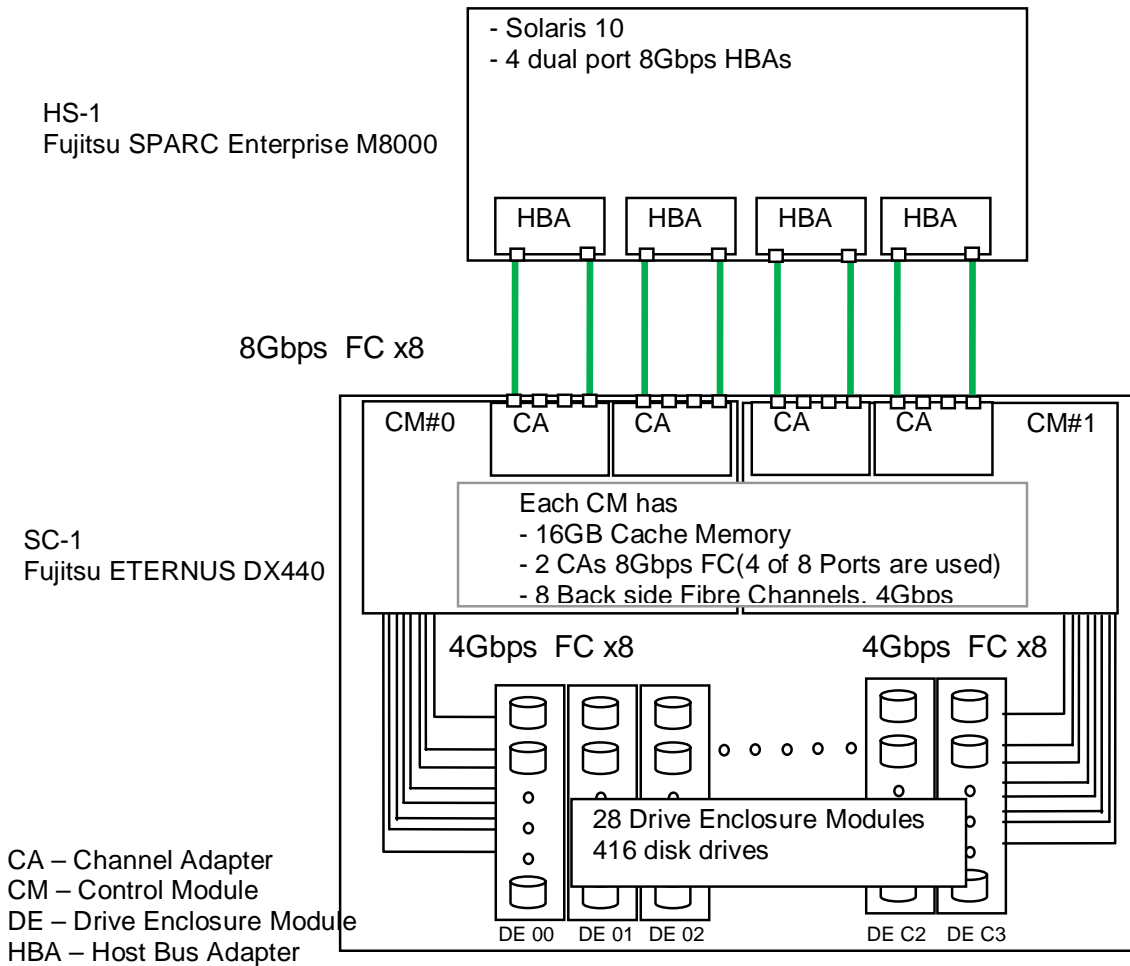
## Priced Storage Configuration Pricing

Fujitsu ETERNUS DX440					
Item	Product Id	Description	Qty	Unit \$	Extd \$
1	ET44S20AU	ETERNUS DX440 FLOOR STAND MODEL	1		
2	ETMDE2BU	ADDITIONAL DRIVE ENCLOSURES FOR DX440	9		
3	ETMDE3BU	ADDITIONAL DRIVE ENCLOSURES FOR DX440 (Extension Cable Type)	4		
3	ETMER4U	EXPANSION RACK FOR DX440	2		
4	ETMM44U	16GB CACHE MEMORY FOR DX440	2		
5	ETMHF88U	HOST INTERFACE (8GBPS, FC, 8-PORT)	2		
6	ETMFC3MU	300GB/15KRPM DISK DRIVE X2 (RAID1) (includes qty 416 disk drives)	208		
7	Item #1 through #6 total		1	\$712,194	\$712,194
8	61-343827-015	LC/LC Fibre Channel Cable, 15 M. (Multimode - 50/125um, Riser Rated)	8	\$181	\$1,448
9	QLE2562-2	Qlogic 8Gbps HBA	4	\$2,533	\$10,132
10	ETDX44-W059360-AAI	ETDX 440 Warranty, 36 Months, Basic Level, Mon-Fri, 12x5 Phone Support 8AM-8PM Local Time, 9x5 Onsite and Parts 8AM-5PM Local	1	\$0	
11	ETDX44-U004361-AAI	ETDX 440 Warranty Uplift, 36 Months Enhanced Plus Level, 24x7x365 Phone Onsite and Parts (Sev1 Resp. Time - 4 Hours),	1	\$132,588	\$132,588
12	ETDX44-N067005-AAI	ETDX 440 Installation during normal business hours Eternus Installation, One Time billing	1	\$1,575	\$1,575
13	FTSPS-ET-QSDX440	Professional Services-ETERNUSDX Model 440 Quickstart	1	\$11,275	\$11,275
Total Fujitsu Product List Price					\$712,194
				Product Discount	40%
Net Product Price					\$427,316
Total Non Fujitsu Product List Price					\$11,580
				Product Discount	40%
Net Non Fujitsu Product Price					\$6,948
Total Service List Price					\$145,438
				Service Discount	29%
Net Service Price					\$103,407
<b>Total Sell Price, including 3 years Service</b>					<b>\$537,671</b>

## Differences between the Tested Storage Configuration (TSC) and Priced Storage Configuration

Due to the availability of equipment within the test lab, the expansion cabinets used for the benchmark, containing the expansion drive enclosures had the drive enclosures mounted differently than they are for the DX440. Physically they are the same drive enclosures, but in these two expansion cabinets, they were mounted with the long dimension in the vertical, while in the normal mounting for the DX440, the long dimension is horizontal. The electrical / optical fibre channel connections were the same as in the standard mounting for the DX440. There is no affect on performance of the orientation of the drive enclosures within the expansion cabinets. The four drive enclosures in the base cabinet were mounted in the standard horizontal structure for the DX440.

**Benchmark Configuration (BC)/Tested Storage Configuration (TSC)/  
Priced Storage Configuration Diagram**



## Benchmark Configuration (BC)/Tested Storage Configuration (TSC)/ Priced Storage Configuration Components

Host System:	Tested Storage Configuration (TSC) / Priced Storage Configuration:
<b>HS-1: Fujitsu SPARC Enterprise M8000</b> 16 – 2.4 GHz SPARC64 VI chips each with: 128 KB L1 instruction cache, 128 KB L1 data cache, 6 MB L2 cache	4 –Qlogic QLE2562-2 dual-port 8 Gbps HBAs
512 GB main memory	<b>SC-1: Fujitsu Storage Systems ETERNUS DX440</b> 2 – Controller Modules, each with: 16 GB cache (32 GB total) 2 – Channel Adapter modules (4 total), each Channel Adapter with 4 – Fibre Channel ports (16 ports total, 8 ports used) 8 – Fibre Channel Expander Drive Interfaces (16 total)
Solaris 10	8 – Front side Fibre Channels (8 Gbps) 16 – Back side Fibre Channels (4 Gbps)
Solaris Volume Manager	28 – Drive Enclosure Modules, each with dual switched FC-AL interfaces, 15 hot swap drive slots
PCIe	416 – 300 GB 15K RPM disk drives (408 in 68 RAID Groups, 4 reserved for system use, and 4 Hot Spares)
WG	