



**SPC BENCHMARK 1™
EXECUTIVE SUMMARY**

**IBM CORPORATION
IBM SYSTEM STORAGE
SAN VOLUME CONTROLLER V5.1
*(6-NODE CLUSTER WITH 2 IBM DS8700s)***

SPC-1 V1.12

Submitted for Review: February 1, 2010

Submission Identifier: A00087

Revised: March 9, 2010

EXECUTIVE SUMMARY

Test Sponsor and Contact Information

Test Sponsor and Contact Information	
Test Sponsor Primary Contact	IBM Corporation – http://www.ibm.com Bruce McNutt – bmcnutt@us.ibm.com 650 Harry Road C2 500 San Jose, CA 95120 Phone: (408) 927-2717 FAX: 0086 28 62905793
Test Sponsor Alternate Contact	IBM Corporation – http://www.ibm.com Joe Hyde – joehyde@us.ibm.com 9000 S. Rita Road 9042-2 Tucson, AZ 85744 Phone: (520) 799-4026 FAX: (520) 799-5550
Auditor	Storage Performance Council – http://www.storageperformance.org Walter E. Baker – AuditService@StoragePerformance.org 643 Bair Island Road, Suite 103 Redwood City, CA 94063 Phone: (650) 556-9384 FAX: (650) 556-9385

Revision Information and Key Dates

Revision Information and Key Dates	
SPC-1 Specification revision number	V1.12
SPC-1 Workload Generator revision number	V2.1.0
Date Results were first used publicly	February 1, 2010
Date the FDR was submitted to the SPC	February 1, 2010
Date the revised FDR was submitted to the SPC Tested Storage Product (TSP) name revision for clarification "IBM System Storage DS8700 (4 node with SVC 5.1 cluster)" was revised to: "IBM System Storage SAN Volume Controller v5.1 (6-node cluster with 2 IBM DS8700s)"	March 9, 2010
Date the priced storage configuration is available for shipment to customers	currently available
Date the TSC completed audit certification	January 29, 2010

Tested Storage Product (TSP) Description

The IBM System Storage SAN Volume Controller (SVC) enables a single point of control for disparate, heterogeneous storage resources to help support improved business application availability and greater resource utilization. SAN Volume Controller is designed to pool storage volumes from IBM and non-IBM storage systems into a single reservoir of capacity for centralized management. SVC Version 5.1, implemented using CF8 nodes as in the present test result, offers 8 Gbps port speeds, 24 GB of cache per node, optional capability (not used in the present test) to incorporate SSD drives, and significantly faster processor technology compared with SVC Version 4.3.

The IBM System Storage DS8000™ series encompasses the flagship disk enterprise storage products in the IBM System Storage portfolio. The DS8700 represents the latest in this series of enterprise disk storage systems designed for high-performance, high-capacity and resiliency. Major new capabilities include IBM POWER6 Processing technology and PCI-e I/O enclosures.

Summary of Results

SPC-1 Results	
Tested Storage Product (TSP) Name: IBM System Storage SAN Volume Controller v5.1 (6-node cluster with 2 IBM DS8700s)	
Metric	Reported Result
SPC-1 IOPS™	380,489.30
SPC-1 Price-Performance	\$18.83/SPC-1 IOPS™
Total ASU Capacity	97,581.657 GB
Data Protection Level	Protected (<i>Mirroring</i>)
Total TSC Price (including three-year maintenance)	\$7,165,323.19

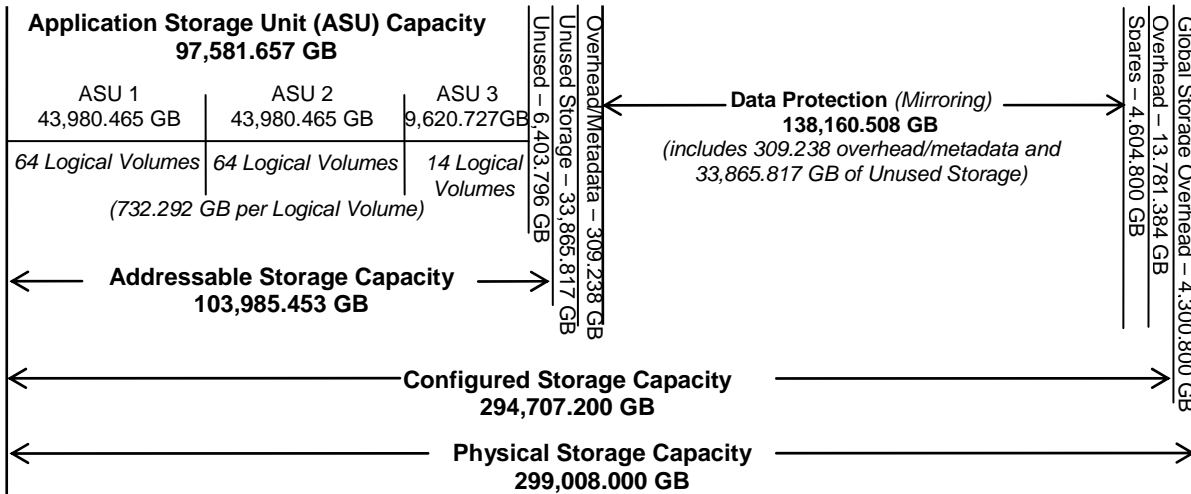
SPC-1 IOPS™ represents the maximum I/O Request Throughput at the 100% load point.

Total ASU (Application Storage Unit) Capacity represents the total storage capacity read and written in the course of executing the SPC-1 benchmark.

A **Data Protection Level of Protected** using *Mirroring* configures two or more identical copies of user data.

Storage Capacities and Relationships

The following diagram and table document the various storage capacities, used in this benchmark, and their relationships, as well as the storage utilization values required to be reported.



SPC-1 Storage Capacity Utilization	
Application Utilization	32.64%
Protected Application Utilization	67.52%
Unused Storage Ratio	24.79%

Application Utilization: Total ASU Capacity (97,581.657 GB) divided by Physical Storage Capacity (299,008.000 GB)

Protected Application Utilization: (Total ASU Capacity (97,581.657 GB) plus total Data Protection Capacity (138,160.508 GB) minus unused Data Protection Capacity (33,865.817 GB) divided by Physical Storage Capacity (299,008.000 GB)

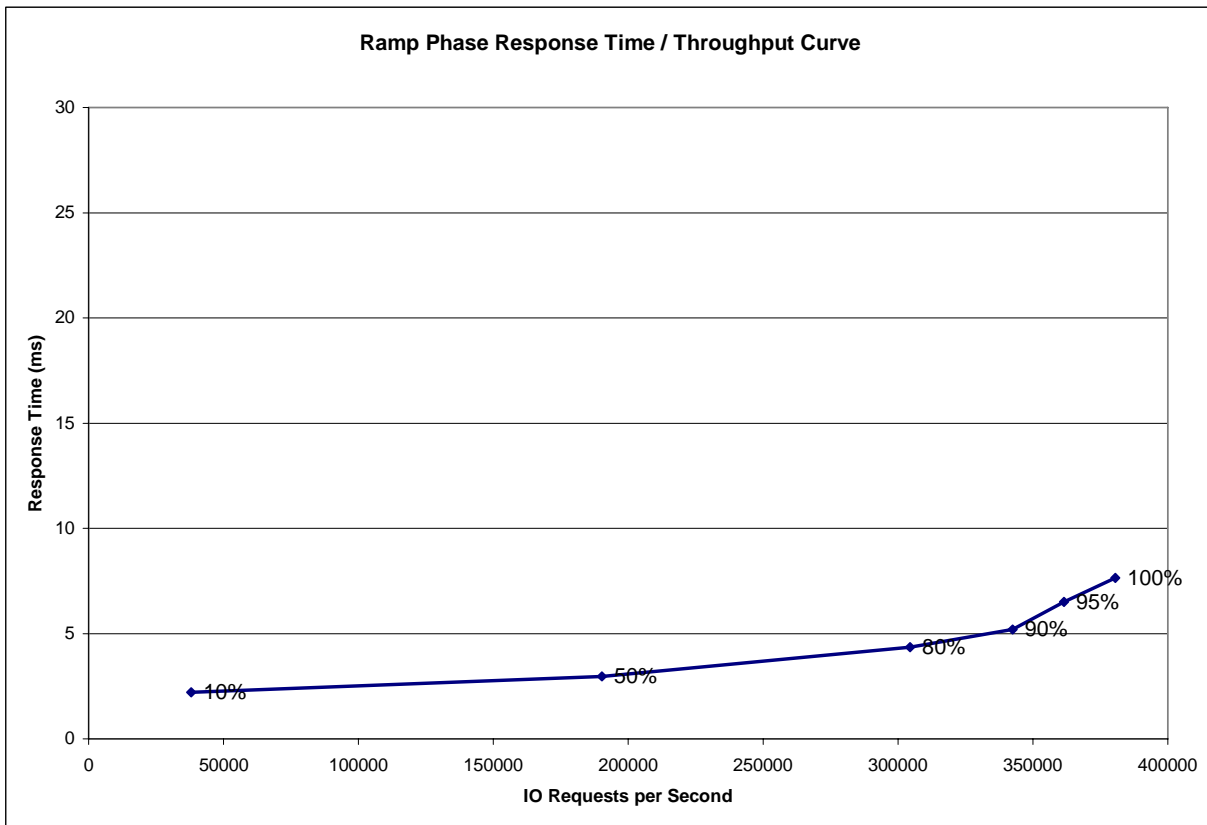
Unused Storage Ratio: Total Unused Capacity (74,135.43 GB) divided by Physical Storage Capacity (299,008.000 GB) and may not exceed 45%.

Detailed information for the various storage capacities and utilizations is available on pages 19-20 in the Full Disclosure Report.

Response Time – Throughput Curve

The Response Time-Throughput Curve illustrates the Average Response Time (milliseconds) and I/O Request Throughput at 100%, 95%, 90%, 80%, 50%, and 10% of the workload level used to generate the SPC-1 IOPS™ metric.

The Average Response Time measured at the any of the above load points cannot exceed 30 milliseconds or the benchmark measurement is invalid.



Response Time – Throughput Data

	10% Load	50% Load	80% Load	90% Load	95% Load	100% Load
I/O Request Throughput	38,047.59	190,253.20	304,422.35	342,453.46	361,491.51	380,489.30
Average Response Time (ms):						
All ASUs	2.20	2.96	4.36	5.20	6.50	7.64
ASU-1	2.84	3.67	5.14	5.94	7.25	8.37
ASU-2	1.99	2.83	4.26	5.05	6.34	7.45
ASU-3	0.95	1.50	2.73	3.68	4.99	6.16
Reads	4.19	5.30	7.04	7.80	9.22	10.36
Writes	0.91	1.44	2.62	3.50	4.74	5.86

Priced Storage Configuration Pricing

Component	Quantity	Unit Price	Unit Maint	List w/ Maint	% discount	Total Price
2145-CF8 SVC Storage Engine	6	16,500.00	2,616.00	114,696.00	30	80,287.20
8115 UPS	6	1,000.00	1,656.00	15,936.00	30	11,155.20
2805-MC4 Master Console	1	5,994.00	1,272.00	7,266.00	30	5,086.20
5608-WB1 TPC Basic Edition	1	3,399.00	1,359.00	4,758.00	30	3,330.60
SVC Software license (base)						
5939-VC5 up to 150 TB	1	394,490.00	157,796.00	552,286.00	30	386,600.20
7014-T42 19 inch rack	1	5,060.00	888.00	5,948.00	50	2,974.00
8 Gbps fibre channel switch						
2498-B24 w/24 ports enabled, 8 Gbps SFPs	4	15,160.00	1,350.00	66,040.00	20	52,832.00
5605 Short wave 5m fibre channel cable	24	105.00		2,520.00	20	2,016.00
5625 Short wave 25 m fibre channel cable	64	210.00		13,440.00	20	10,752.00
73P-2413 Ethernet switch	1	135.99	30.00	165.99	0	165.99
15S-10102 Ethernet 15 foot cable	11	17.00		187.00	0	187.00
9119-595 5716 2 Gbit P5 595 adapter	32	1,999.00		63,968.00	30	44,777.60
2398-LFA DS8000 Function Authorization	2	763,186.00		1,526,372.00	40	915,823.20
2423-941 System Storage DS8700 (A frame)	2	72,419.00		144,838.00	50	72,419.00
1050 Battery Assembly	6	1,700.00		10,200.00	50	5,100.00
1090 Line Cord (US/LA/AP/Canada)	2	1,900.00		3,800.00	50	1,900.00
1120 Management Console - English Laptop Internal	2	9,160.00		18,320.00	50	9,160.00
1210 Disk Enclosure Pair	8	10,000.00		80,000.00	50	40,000.00
1211 Disk Drive Cable Group 1	2	1,000.00		2,000.00	50	1,000.00
1301 I/O Enclosure Pair PCIE	4	11,780.00		47,120.00	50	23,560.00
1321 PCI-E Cable Group 2	2	4,100.00		8,200.00	50	4,100.00
1711 Release 5 Bundle Family	2	40,000.00		80,000.00	50	40,000.00
2216 146 GB 15K Drive Set (16 drives per set)	16	46,076.00		737,216.00	50	368,608.00
3043 Device Adapter Pair III	8	10,000.00		80,000.00	50	40,000.00
3143 4Gb SW FCP/FICON Adapter PCIE	16	33,920.00		542,720.00	50	271,360.00
4226 384 GB Processor Memory (4-Way)	2	1,176,960.00		2,353,920.00	50	1,176,960.00
4302 4 Way Processor Card	2	80,893.00		161,786.00	50	80,893.00
2423-94E System Storage DS8700 Expansion Unit (B frame)	2	73,500.00		147,000.00	50	73,500.00
1050 Battery Assembly	4	1,700.00		6,800.00	50	3,400.00
1090 Line Cord (US/LA/AP/Canada)	2	1,900.00		3,800.00	50	1,900.00
1210 Disk Enclosure Pair	16	10,000.00		160,000.00	50	80,000.00
1212 Disk Drive Cable Group 2	2	1,900.00		3,800.00	50	1,900.00
1301 I/O Enclosure Pair PCIE	4	11,780.00		47,120.00	50	23,560.00
1322 PCIE Cable Group 3	2	5,000.00		10,000.00	50	5,000.00
2216 146 GB 15K Drive Set (16 drives per set)	32	46,076.00		1,474,432.00	50	737,216.00
3043 Device Adapter Pair III	8	10,000.00		80,000.00	50	40,000.00
3143 4Gb SW FCP/FICON Adapter PCIE	16	33,920.00		542,720.00	50	271,360.00
2423-94E System Storage DS8700 Expansion Unit (C frame)	2	73,500.00		147,000.00	50	73,500.00
1090 Line Cord (US/LA/AP/Canada)	2	1,900.00		3,800.00	50	1,900.00
1210 Disk Enclosure Pair	16	10,000.00		160,000.00	50	80,000.00
1214 Disk Drive Cable Group 4	2	2,400.00		4,800.00	50	2,400.00
2216 146 GB 15K Drive Set (16 drives per set)	32	46,076.00		1,474,432.00	50	737,216.00
2423-94E System Storage DS8700 Expansion Unit (D frame)	2	73,500.00		147,000.00	50	73,500.00
1090 Line Cord (US/LA/AP/Canada)	2	1,900.00		3,800.00	50	1,900.00
1210 Disk Enclosure Pair	16	10,000.00		160,000.00	50	80,000.00
1214 Disk Drive Cable Group 4	2	2,400.00		4,800.00	50	2,400.00
2216 146 GB 15K Drive Set (16 drives per set)	32	46,076.00		1,474,432.00	50	737,216.00
2423-94E System Storage DS8700 Expansion Unit (E frame)	2	73,500.00		147,000.00	50	73,500.00
1090 Line Cord (US/LA/AP/Canada)	2	1,900.00		3,800.00	50	1,900.00
1210 Disk Enclosure Pair	8	10,000.00		80,000.00	50	40,000.00
1214 Disk Drive Cable Group 4	2	2,400.00		4,800.00	50	2,400.00
2216 146 GB 15K Drive Set (16 drives per set)	16	46,076.00		737,216.00	50	368,608.00
Total Price						7,165,323.19

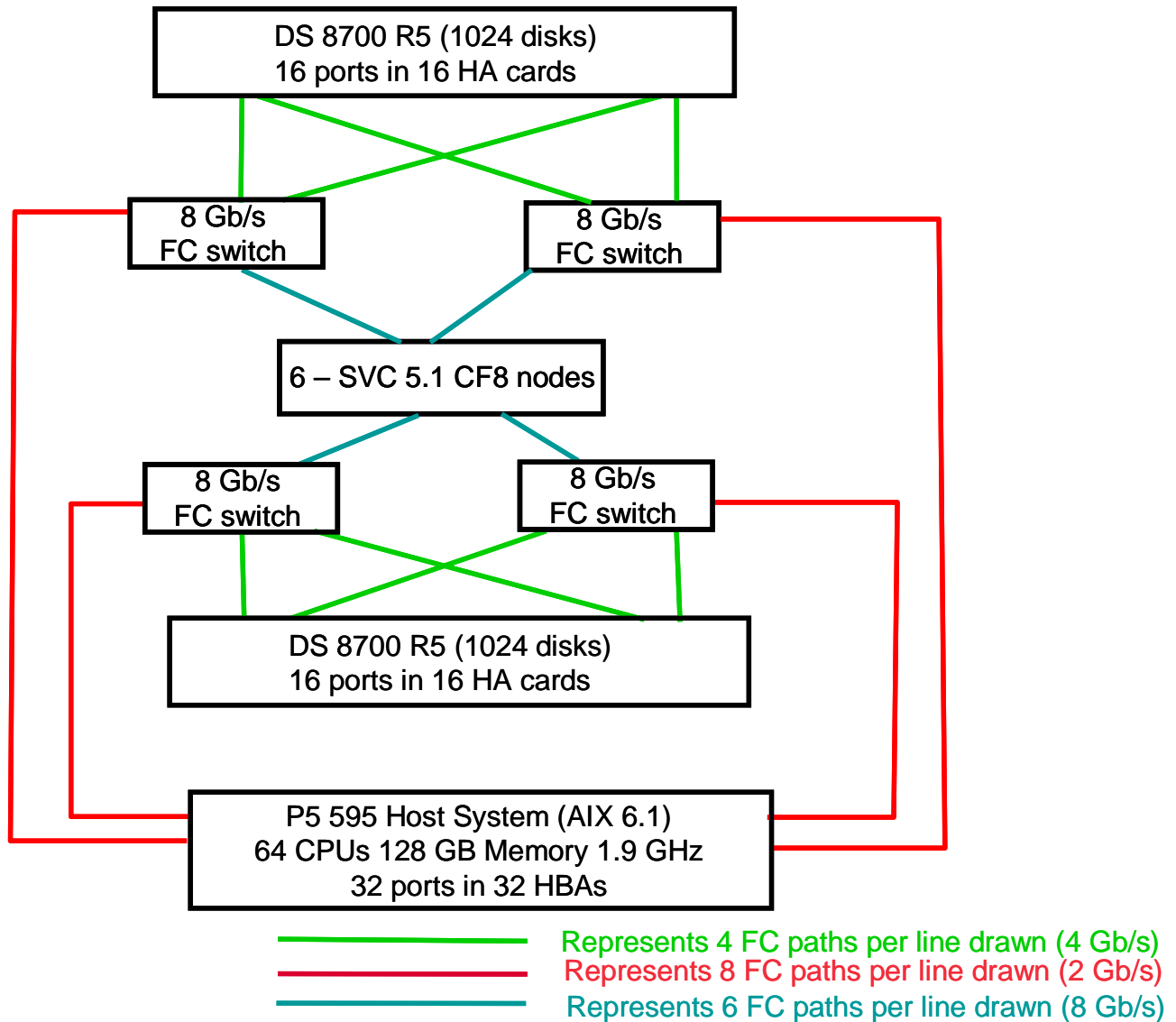
The above pricing includes hardware maintenance and software support for three years, 7 days per week, 24 hours per day. The hardware maintenance and software support provides the following:

- Acknowledgement of new and existing problems with four (4) hours.
- Onsite present of a qualified maintenance engineer or provision of a customer replaceable part within four (4) hours of the above acknowledgement for any hardware failure that results in an inoperative Price Storage Configuration that can be remedied by the repair or replacement of a Priced Storage Configuration component.

Differences between the Tested Storage Configuration (TSC) and Priced Storage Configuration

There were no differences between the TSC and Priced Storage Configuration.

Benchmark Configuration (BC)/Tested Storage Configuration (TSC)/Priced Storage Configuration Diagram



All storage was managed by each SVC node (single image). Each switch had 24 ports enabled, with one zone for node-to-storage traffic and one zone for node-to-host traffic

Benchmark Configuration (BC)/Tested Storage Configuration (TSC)/ Priced Storage Configuration Components

Host System:	Tested Storage Configuration (TSC)/ Priced Storage Configuration:
IBM P5 595 Model 9119	32 – 2 Gbit P5 595 HBAs
64 – dual core CPUs, 2 CPUs/POWER5 chip 32 KB L1 cache, 960 KB L2 cache, and 18 MB L3 cache per CPU	IBM System Storage DS8700 (6 node SVC 5.1 cluster): 2 – IBM DS8700 each with: 384 GB memory/cache 16 – 4 Gbit FC front-end physical connections <i>(32 total)</i> 64 – 2 Gbit backend physical connections <i>(128 total)</i> 1024 – 146 GB 15K RPM disk drives <i>(2048 total)</i>
128 GB main memory	
AIX 6.1 TL 03	
PCI-X/RIO	
	6 – IBM SAN Volume Controller nodes each with: 24 GB memory/cache 4 – 8Gbit FC connections
	1 – Master Console
	2 – Management Consoles
	4 – IBM 2498-B24 8 Gbps FC switches
	2 – DS8700 base units
	8 – DS8700 Expansion Units
	6 – UPS